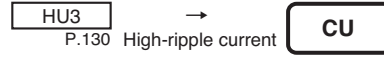


CU Series Useful of 4,000 hours at 105°C

- Conform RoHS

Features

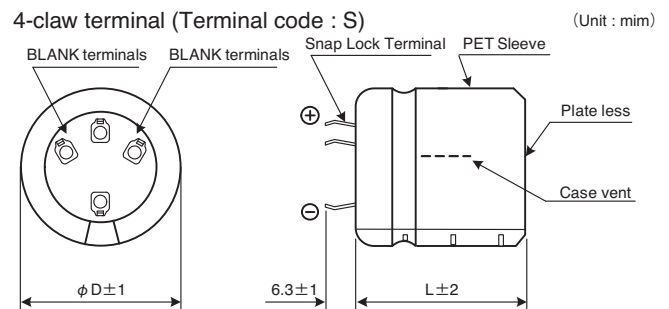
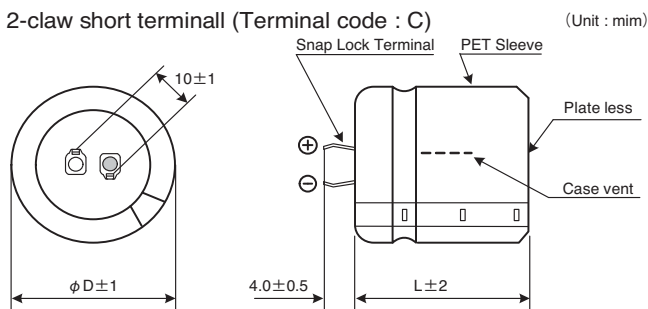
- CU series has higher ripple current (ave 30%) compared with HU3 series. These features are accomplished by new heat radiation.
- The vent is located in the side of the case.



Product Specifications

Items	Specifications
Temperature range	-25°C ~ +105°C
Rated voltage	400 ~ 500V.DC
Capacitance tolerance	±20% (20°C, 120Hz)
Leakage current	0.02CV (μA) or 5 mA, whichever is smaller or less (20°C, after 5 minutes) [C = nominal capacitance (μF), V = rated voltage (V)]
Dissipation factor	Less than the value specified in the standard products table. (20°C, 120Hz)
Permissible ripple current	As specified in the standard products table. (105°C, 120Hz)
Endurance	After the rated voltage with specified ripple current is applied at 105°C for 2,000 hours : Capacitance change : Within ±20% of the initial value measured Dissipation factor : 200% or less than the initial value specified Leakage current : Less than or equal to the initial value specified
Shelf life	The following specification shall be met when the capacitor are restored to 20°C after storage of 500 hours at 105°C with no voltage applied. Before the measurement, the capacitor shall be preconditioned by applying the voltage treatment according to Item 4.1 of JIS C 5101-4. Capacitance change : Within ±15% of the initial value measured Dissipation factor : 175% or less than the initial value specified Leakage current : Less than or equal to the initial value specified
Others	JIS C 5101-4
Notes to users	The vent position is not fixed. Please do not set up an obstacle to circumference less than 1mm.

Dimensions

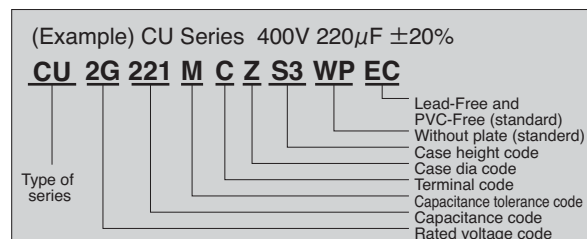


Ripple current correction coefficient

Temperature (°C)	60	70	85	105
Correction coefficient	1.9	1.7	1.4	1.0
Frequency (Hz)	120	300	1K	≥10K
Correction coefficient	1.0	1.1	1.3	1.4
Forced wind (m / s)	<0.5	0.5≤		
Correction coefficient	1.0	1.1		

A continuous load should be avoided over 10 Arms at the terminal in accordance with the permissible current. Please consult us when the ripple voltage exceeds 70Vp-p.

Product code



Refer to page 124-125 for other terminal shape available on request.

SNAP MOUNT TYPE ALUMINUM ELECTROLYTIC CAPACITORS

Standard Products Table

Rated Voltage (V. DC)	Capacitance (μF)	Case size φ D × L (mm)	tanδ 20°C, 120Hz	Ripple current (Arms)		Product name
				105°C, 120Hz	ESR(typ.) (mΩ) 20°C, 100Hz	
400	220	30 × 30	0.20	1.57	320	CU2G221MCZS3WPEC
		30 × 35	0.20	1.79	260	CU2G271MCZS4WPEC
	270	35 × 31	0.20	1.85	260	CU2G271MCAS3WPEC
		30 × 40	0.20	2.03	210	CU2G331MCZS5WPEC
	330	35 × 36	0.20	2.10	210	CU2G331MCAS4WPEC
		30 × 50	0.20	2.28	190	CU2G391MCZS7WPEC
	390	35 × 41	0.20	2.33	190	CU2G391MCAS5WPEC
		30 × 60*	0.20	2.57	160	CU2G471MCZS9WPEC
	470	35 × 46	0.20	2.61	160	CU2G471MCAS6WPEC
		35 × 51	0.20	2.89	130	CU2G561MCAS7WPEC
	560	40 × 40	0.20	2.64	130	CU2G561MSBS5WPEC
		35 × 61*	0.20	3.25	110	CU2G681MCAS9WPEC
	680	40 × 45	0.20	2.95	110	CU2G681MSBS6WPEC
		35 × 81	0.20	3.62	90	CU2G821MSAS13WPEC
820	40 × 61	0.20	3.35	90	CU2G821MSBS9WPEC	
	1,200	40 × 83	0.20	4.08	90	CU2G122MSBS13WPEC
450	150	30 × 30	0.20	1.30	490	CU2W151MCZS3WPEC
		30 × 35	0.20	1.46	420	CU2W181MCZS4WPEC
	220	30 × 40	0.20	1.66	340	CU2W221MCZS5WPEC
		35 × 31	0.20	1.67	340	CU2W221MCAS3WPEC
	270	35 × 36	0.20	1.90	280	CU2W271MCAS4WPEC
		30 × 50	0.20	2.10	230	CU2W331MCZS7WPEC
	330	35 × 41	0.20	2.15	230	CU2W331MCAS5WPEC
		30 × 60*	0.20	2.34	200	CU2W391MCZS9WPEC
	390	35 × 46	0.20	2.37	200	CU2W391MCAS6WPEC
		35 × 51	0.20	2.64	160	CU2W471MCAS7WPEC
	470	40 × 40	0.20	2.42	160	CU2W471MSBS5WPEC
		35 × 61*	0.20	2.95	140	CU2W561MCAS9WPEC
	560	40 × 45	0.20	2.68	140	CU2W561MSBS6WPEC
		35 × 81	0.20	3.30	110	CU2W681MSAS13WPEC
	680	40 × 50	0.20	2.98	110	CU2W681MSBS7WPEC
		1,000	40 × 83	0.20	3.72	90
500	120	30 × 30	0.20	1.05	460	CU2H121MCZS3WPEC
		30 × 35	0.20	1.21	460	CU2H151MCZS4WPEC
	180	30 × 40	0.20	1.36	390	CU2H181MCZS5WPEC
		35 × 31	0.20	1.40	390	CU2H181MCAS3WPEC
	220	30 × 50	0.20	1.56	320	CU2H221MCZS7WPEC
		35 × 36	0.20	1.59	320	CU2H221MCAS4WPEC
	270	30 × 60*	0.20	1.78	260	CU2H271MCZS9WPEC
		35 × 41	0.20	1.80	260	CU2H271MCAS5WPEC
	330	35 × 46	0.20	2.03	210	CU2H331MCAS6WPEC
	390	35 × 51	0.20	2.25	180	CU2H391MCAS7WPEC
470	35 × 61*	0.20	2.52	160	CU2H471MCAS9WPEC	

* When the capacitor is mounted on printed circuit board, reinforce it with any mounting adhesives.

Life time graph

Useful life depending on ambient temperature T_a and ripple current operating conditions I versus rated ripple current at 105°C, 120Hz

