

E62-3HF Series

(Three Phase Type Cylindrical Metallized Polypropylene Film Capacitors)

Features

- The three capacitor elements are connected in delta internally.
- Designed especially for heavy duty operation in extreme or sophisticated operating conditions.
- The integrated overpressure disconnecter ensure safe operation and controlled disconnection in the event of overload or failure at the end of operating life.

Specifications

Item	Specification
Category temperature range	-50 ~ +70°C (+85°C / Includes self temperature rise)
Storage temperature	-50 ~ +85°C
Rated voltage (UN)	640 ~ 1,400Vac
Stud bolt (torque)	M12 × 16 / 18 (15 ±1Nm)
Standards	IEC 61071 : 2007
Dielectric	Polypropylene
Dielectric dissipation factor (tan δ ₀)	2 × 10 ⁻⁴
Capacitance tolerance	±5%
Circuitry	Delta
Safety devices	Overpressure disconnecter
Impregnant	Castor oil, Non PCB
Material of case	Aluminum
Environmental regulations	Comply with RoHS



Numbering system: e.g. E62-3HF, 640VAC, 3×33μF, φ75×164Lmm, Z3terminal

E62 . M 16 - 333 Z3 0 / H

- Auxiliary symbol
- Terminal symbol
- Capacitance
- Case length
- Case diameter symbol
- Series name

Standard Value and Case Size

Rated Capacitance <i>C_N</i> [μF]	Case size		Max current (rms) <i>I_{max}</i> [Arms]	Max peak current <i>I_̂</i> [kA]	Max surge current <i>I_S</i> [kA]	Series resistance (reference) <i>R_S</i> [mΩ]	Self inductance (reference) <i>ESL</i> [nH]	Thermal resistance (reference) <i>R_{th}</i> [K/W]	Terminal	Weight [kg]	MOQ [pcs]	Part number
	<i>φD</i> [mm]	<i>L</i> [mm]										
Rated AC voltage <i>U_N</i> (AC) : 640Vac			<i>U_{rms}</i> : 450V <i>U_S</i> : 1,350V Test voltage (T-T) <i>U_{TT}</i> : 1,060Vdc Test voltage (T-C) <i>U_{TC}</i> : 3,600Vac									
3 × 33	75	164	3 × 39	0.9	2.7	3 × 0.9	110	4.7	S4	0.8	120	E62.M16-333S40/H
3 × 40	75	164	3 × 39	1.1	3.3	3 × 0.5	110	4.7	S4	0.8	30	E62.M16-403S40/H
3 × 46	85	164	3 × 56	1.3	3.9	3 × 0.5	120	4.1	S4	1.0	30	E62.N16-463S40/H
3 × 51	85	164	3 × 56	1.4	4.2	3 × 0.5	120	4.1	S4	1.0	30	E62.N16-513S40/H
3 × 68	95	164	3 × 56	2.0	6.0	3 × 0.5	120	3.7	S4	1.2	30	E62.P16-683S40/H
3 × 80	95	196	3 × 56	1.8	5.4	3 × 0.7	130	3.1	S4	1.5	60	E62.P19-803S40/H
3 × 100	116	164	3 × 56	2.8	8.4	3 × 0.4	100	3	S4	1.8	30	E62.R16-104S40/H
3 × 100	116	164	3 × 100	2.8	8.4	3 × 0.4	100	3	MB	1.8	39	E62.R16-104MB0/H
3 × 135	116	230	3 × 100	2.5	7.5	3 × 0.6	120	2.1	MB	2.5	30	E62.R23-134MB0/H
3 × 140	116	230	3 × 56	2.5	7.5	3 × 0.5	120	2.1	S4	2.6	27	E62.R23-144S40/H
3 × 200	136	230	3 × 100	3.4	10.2	3 × 0.5	120	1.8	MB	3.5	20	E62.S23-204MB0/H
Rated AC voltage <i>U_N</i> (AC) : 750Vac			<i>U_{rms}</i> : 530V <i>U_S</i> : 1,600V Test voltage (T-T) <i>U_{TT}</i> : 1,250Vdc Test voltage (T-C) <i>U_{TC}</i> : 3,600Vac									
3 × 16	65	164	3 × 39	0.6	1.8	3 × 0.9	100	5.4	Z3	0.6	30	E62.L16-163Z30/H
3 × 23	75	164	3 × 39	0.85	2.5	3 × 0.5	110	4.7	S4	0.8	120	E62.M16-233S40/H
3 × 30	85	164	3 × 56	1.1	3.3	3 × 0.7	120	4.1	S4	1.0	90	E62.N16-303S40/H
3 × 38.4	95	164	3 × 56	1.4	4.2	3 × 0.7	125	3.7	S4	1.2	30	E62.P16-383S40/H
3 × 48	100	164	3 × 56	1.7	5.1	3 × 0.5	130	3.5	S4	1.4	66	E62.Q16-483S40/H
3 × 75	116	196	3 × 56	2.2	6.6	3 × 0.6	130	2.5	S4	2.2	39	E62.R19-753S40/H
3 × 100	116	230	3 × 56	2.2	6.6	3 × 0.6	120	2.1	S4	2.5	30	E62.R23-104S40/H
3 × 100	116	230	3 × 100	2.2	6.6	3 × 0.6	120	2.1	MB	2.5	30	E62.R23-104MB0/H

Standard Value and Case Size

Rated Capacitance C_N [μ F]	Case size		Max current (rms) I_{max} [Arms]	Max peak current \hat{i} [kA]	Max surge current I_s [kA]	Series resistance (reference) R_s [m Ω]	Self inductance (reference) ESL [nH]	Thermal resistance (reference) R_{th} [K/W]	Terminal	Weight [kg]	MOQ [pcs]	Part number
	ϕD [mm]	L [mm]										
Rated AC voltage U_N (AC) : 850Vac			U_{rms} : 600V U_s : 1,830V Test voltage (T-T) U_{TT} : 1,420Vdc Test voltage (T-C) U_{TC} : 4,800Vac									
3 × 9	60	164	3 × 39	0.8	2.4	3 × 0.8	100	5.8	Z3	0.5	200	E62.K16-902Z30/H
3 × 11	65	164	3 × 39	1.0	3.0	3 × 0.9	100	5.4	Z3	0.6	190	E62.L16-113Z30/H
3 × 12	65	164	3 × 39	1.1	3.3	3 × 0.9	100	5.4	Z3	0.6	190	E62.L16-123Z30/H
3 × 14	75	164	3 × 39	1.2	3.6	3 × 0.5	120	4.7	S4	0.8	155	E62.M16-143S40/H
3 × 19	85	164	3 × 56	1.7	5.1	3 × 0.5	120	4.1	S4	1.0	80	E62.N16-193S40/H
3 × 25	95	164	3 × 56	2.2	6.6	3 × 0.6	120	3.7	S4	1.2	78	E62.P16-253S40/H
3 × 30	100	164	3 × 56	2.6	7.8	3 × 0.5	120	3.5	S4	1.5	60	E62.Q16-303S40/H
3 × 37.5	100	196	3 × 56	2.7	8.0	3 × 0.4	130	2.9	S4	1.6	57	E62.Q19-373S40/H
3 × 50	116	196	3 × 56	3.4	10.2	3 × 0.5	130	2.5	S4	2.2	45	E62.R19-503S40/H
3 × 72.5	116	230	3 × 56	3.7	11.1	3 × 0.7	120	2.1	S4	2.6	33	E62.R23-723S40/H
3 × 100	136	230	3 × 100	5.0	15.0	3 × 0.5	130	1.8	MB	3.5	24	E62.S23-104MB0/H
Rated AC voltage U_N (AC) : 1,080Vac			U_{rms} : 760V U_s : 2,320V Test voltage (T-T) U_{TT} : 1,800Vdc Test voltage (T-C) U_{TC} : 4,800Vac									
3 × 11	75	164	3 × 39	1.2	3.6	3 × 1	110	4.7	S4	0.8	125	E62.M16-113S40/H
3 × 18.4	95	164	3 × 56	1.9	5.7	3 × 0.5	125	3.7	S4	1.2	81	E62.P16-183S40/H
3 × 22	95	196	3 × 56	2.0	6.0	3 × 0.5	130	3.1	S4	1.5	60	E62.P19-223S40/H
3 × 27.6	116	164	3 × 56	3.1	9.3	3 × 0.4	120	3.0	S4	1.8	45	E62.R16-283S40/H
3 × 33.4	95	230	3 × 56	2.0	6.0	3 × 0.6	130	2.6	S4	1.7	48	E62.P23-333S40/H
3 × 49	116	230	3 × 56	3.2	9.6	3 × 0.55	120	2.1	S4	2.7	30	E62.R23-493S40/H
3 × 55.7	136	196	3 × 56	5.0	15.0	3 × 0.4	130	2.1	S4	3.0	26	E62.S19-563S40/H
3 × 55.7	136	196	3 × 100	5.0	15.0	3 × 0.4	130	2.1	MB	3.0	26	E62.S19-563MB0/H
3 × 75	136	230	3 × 100	4.5	13.5	3 × 0.5	130	1.8	MB	3.5	20	E62.S23-753MB0/H
Rated AC voltage U_N (AC) : 1,130Vac			U_{rms} : 800V U_s : 2,430V Test voltage (T-T) U_{TT} : 1,890Vdc Test voltage (T-C) U_{TC} : 4,800Vac									
3 × 24.9	100	196	3 × 56	2.2	6.6	3 × 0.6	130	2.9	S4	1.6	51	E62.Q19-253S40/H
3 × 33.2	116	196	3 × 56	2.9	8.7	3 × 0.6	130	2.5	S4	2.2	36	E62.R19-333S40/H
3 × 41.4	136	196	3 × 56	4.1	12.3	3 × 0.5	130	2.1	S4	3.0	27	E62.S19-413S40/H
3 × 46	116	230	3 × 56	2.9	8.7	3 × 0.65	120	2.1	S4	2.6	30	E62.R23-463S40/H
Rated AC voltage U_N (AC) : 1,200Vac			U_{rms} : 850V U_s : 2,580V Test voltage (T-T) U_{TT} : 2,010Vdc Test voltage (T-C) U_{TC} : 4,800Vac									
3 × 8	75	164	3 × 39	1.0	3.0	3 × 1	110	4.7	S4	0.8	125	E62.M16-802S40/H
3 × 25	116	164	3 × 56	3.2	9.6	3 × 0.4	130	3.0	S4	2.2	45	E62.R16-253S40/H
3 × 37.5	116	230	3 × 56	2.9	8.7	3 × 0.55	120	2.1	S4	2.6	30	E62.R23-373S40/H
3 × 41.5	116	230	3 × 56	3.0	9.0	3 × 0.55	120	2.1	S4	2.6	30	E62.R23-413S40/H
3 × 41.5	116	245	3 × 100	2.6	7.8	3 × 0.6	130	2.0	MB	2.7	27	E62.R24-413MB0/H
3 × 55.7	136	230	3 × 100	4.0	12.0	3 × 0.4	125	1.8	MB	3.5	22	E62.S23-563MB0/H
Rated AC voltage U_N (AC) : 1,400Vac			U_{rms} : 1,000V U_s : 3,000V Test voltage (T-T) U_{TT} : 2,370Vdc Test voltage (T-C) U_{TC} : 4,800Vac									
3 × 33	136	230	3 × 100	3.0	9.0	3 × 0.4	120	1.8	MB	3.5	25	E62.S23-333MB0/H
3 × 40	136	280	3 × 100	2.8	8.4	3 × 0.55	150	1.5	MB	4.3	18	E62.S28-403MB0/H

PLASTIC FILM CAPACITORS

Dimensions (E62-3HF series)

Z3 / S4 terminal
(Can diameter : $\phi 60 \sim 116\text{mm}$)



MB terminal
(Can diameter : $\phi 116 / 136\text{mm}$)

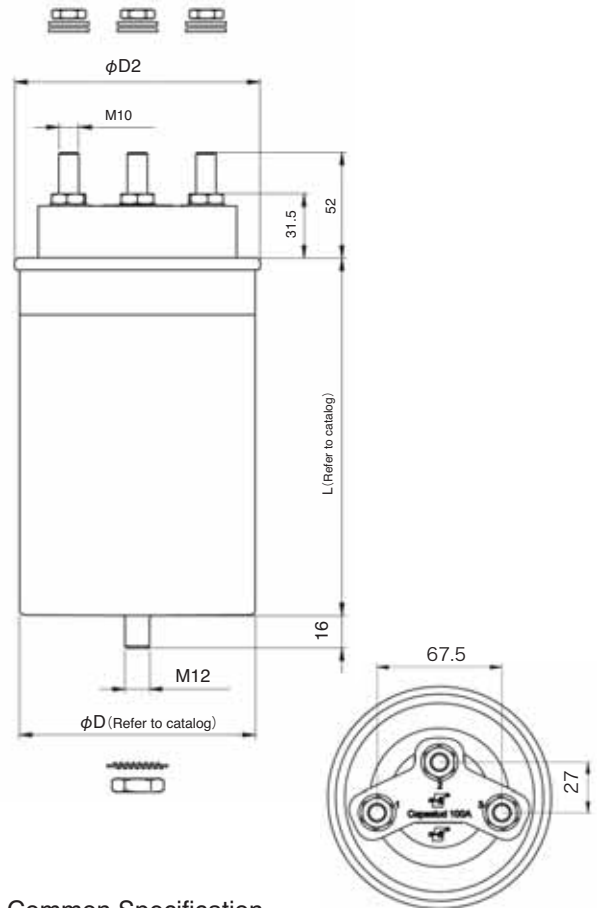
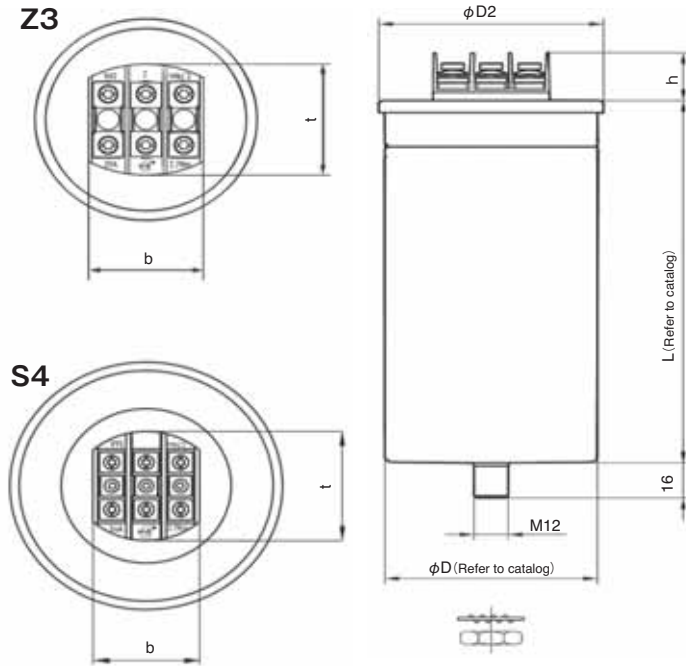


Table. Common Specification

Item	Specification	
Terminal code	Z3 / S4	
Can material	Aluminum	
Stud bolt	M12	
Lid	Aluminum	
Terminal	Z3	Max wire size : max 10mm ²
		Torque : 2.7Nm
		I _{max} (terminal) : 39A
		Clearance in air : 10mm
	S4	Creepage distance : 10mm
		Max wire size : max 16mm ²
		Torque : 2.7Nm
		I _{max} (terminal) : 56A
Degree of protection	IP00	
Humidity class	C	

Table. Common Specification

Item	Specification
Terminal code	MB
Can material	Aluminum
Stud bolt	M12
Lid	Aluminum
Terminal	M10 bolt terminal
	Torque : 10Nm
	I _{max} (terminal) : 100A
	Clearance in air : 20mm
Creepage distance : 25mm	
Degree of protection	IP00
Humidity class	C

Table. Dimensions

Item	Terminal		Unit : mm	
	Z1	S2	D	D2
h	22	18	60	64.8
b	41	47	65	69.7
t	43.5	53	75	79.3
			85	89.3
			95	99.7
			100	104.5
			116	120.5
			136	142

Table. Dimensions Unit : mm

	D	D2
	60	64.8
	65	69.7
	75	79.3
	85	89.3
	95	99.7
	100	104.5
	116	120.5
	136	142