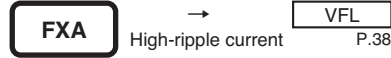


## FXA Series Useful of 8,000 hours at 85°C

- Conform RoHS

### Features

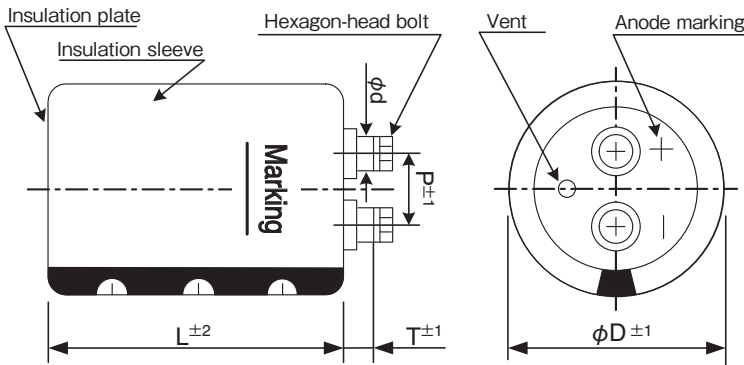
- Long-life and high-ripple series for inverter realized through adoption of high-reliability organic acid type electrolyte liquid and improvement of etched foil technology for high voltage and manufacturing process.



### Product Specifications

Items	Specifications
Temperature range	-40°C ~ +85°C
Rated voltage	350 ~ 450V.DC
Capacitance tolerance	±20% (20°C, 120Hz)
Leakage current	0.01CV (µA) or 5 mA, whichever is smaller or less (20°C, after 5 minutes) [C = nominal capacitance (µF), V = rated voltage (V)]
Dissipation factor	Less than the value specified in the standard products table. (20°C, 120Hz)
Permissible ripple current	As specified in the standard products table. (85°C, 120Hz)
Endurance	After the rated voltage with specified ripple current is applied at 85°C for 5,000 hours : Capacitance change : Within ±15% of the initial value measured Dissipation factor : 175% or less than the initial value specified Leakage current : Less than or equal to the initial value specified
Shelf life	The following specification shall be meet when the capacitor are restored to 20°C after storage of 500 hours at 85°C with no voltage applied. Before the measurement, the capacitor shall be preconditioned by applying the voltage treatment according to Item 4.1 of JIS C 5101-4. Capacitance change : Within ±15% of the initial value measured Dissipation factor : 175% or less than the initial value specified Leakage current : Less than or equal to the initial value specified
Others	JIS C 5101-4

### Dimensions



(unit : mm)

φD	P	T	φd	Hexagon-head bolt	Cap material
51	22.0	5.5	10.0	M5×10	Phenol resin
64	28.6	5.5	10.0	M5×10	Phenol resin
77	31.5	5.0	10.0	M5×10	Phenol resin
90	31.5	5.0	10.0	M5×10	Phenol resin

### Ripple current correction coefficient

Temperature (°C)	40	60	85		
Correction coefficient	1.89	1.67	1.00		
Frequency (Hz)	50/60	120	300	1K	≥10K
Correction coefficient	0.7	1.0	1.1	1.3	1.4

Terminal permissible currents: 60Arms for M5.  
Please use this type of capacitor at a terminal current below the permissible.

### Product code

(Example) FXA Series 400V 4,700 µF ±20%

**FXA 2G 472 Y D 155 PH**

- FXA: Type of series
- 2G: Sealing code
- 472: Case height code
- Y: Case dia code
- D: Type of bracket code
- 155: Capacitance code
- PH: Rated voltage code

Refer to page 21 for product code.

### Bracket

- Refer to page 22-23 for shapes and dimensions.
- Product names in the Standard Products Table correspond to the bracket for Type Y, but Type I bracket may be used (Type of bracket code = I).
- If bracket are not necessary, enter "N" for the type of bracket code.
- Bracket will be delivered separately.

# SCREW TERMINAL TYPE ALUMINUM ELECTROLYTIC CAPACITORS

Standard Products Table

Rated Voltage (V. DC)	Capacitance (μF)	Case size φD×L(mm)	tanδ 20°C, 120Hz	Ripple current (Arms) 85°C, 120Hz	ESR(typ.) (mΩ) 20°C, 100Hz	Z max (mΩ) 20°C, 10kHz	ESL(typ.) (nH)	Product name
350	1,200	51×75	0.15	5.5	85	88	21	FXA2V122YC075PH
	1,500	51×75	0.15	6.1	68	70	21	FXA2V152YC075PH
	1,800	51×96	0.15	7.4	57	59	21	FXA2V182YC096PH
	2,200	51×96	0.15	8.2	46	48	21	FXA2V222YC096PH
	2,700	51×130	0.15	10.2	38	40	21	FXA2V272YC130PH
	3,300	51×130	0.15	11.3	30	32	21	FXA2V332YC130PH
	3,900	64×115	0.15	12.8	26	28	22	FXA2V392YD115PH
	4,700	64×130	0.15	14.8	21	22	22	FXA2V472YD130PH
	5,600	64×155	0.15	17.3	18	19	22	FXA2V562YD155PH
		77×115	0.15	16.3	18	19	24	FXA2V562YE115PH
	6,800	64×195	0.15	21.1	15	15	22	FXA2V682YD195PH
		77×130	0.15	18.8	15	15	24	FXA2V682YE130PH
	8,200	77×155	0.15	22.1	12	15	24	FXA2V822YE155PH
	10,000	90×157	0.15	25.9	10	15	24	FXA2V103YF157PH
12,000	90×157	0.15	28.4	8	13	24	FXA2V123YF157PH	
15,000	90×196	0.15	34.6	7	10	24	FXA2V153YF196PH	
18,000	90×236	0.15	41.1	7	10	24	FXA2V183YF236PH	
400	1,000	51×75	0.15	5.0	102	105	21	FXA2G102YC075PH
	1,200	51×75	0.15	5.5	85	88	21	FXA2G122YC075PH
	1,500	51×96	0.15	6.7	68	70	21	FXA2G152YC096PH
	1,800	51×96	0.15	7.4	57	58	21	FXA2G182YC096PH
	2,200	51×130	0.15	9.2	46	48	21	FXA2G222YC130PH
	2,700	64×96	0.15	9.9	38	40	22	FXA2G272YD096PH
	3,300	64×115	0.15	11.8	30	32	22	FXA2G332YD115PH
	3,900	64×130	0.15	13.5	26	28	22	FXA2G392YD130PH
	4,700	64×155	0.15	15.9	21	22	22	FXA2G472YD155PH
		77×115	0.15	14.9	21	22	24	FXA2G472YE115PH
	5,600	64×195	0.15	19.1	18	19	22	FXA2G562YD195PH
		77×130	0.15	17.0	18	19	24	FXA2G562YE130PH
	6,800	77×155	0.15	20.2	15	15	24	FXA2G682YE155PH
	8,200	90×157	0.15	23.5	12	15	24	FXA2G822YF157PH
10,000	90×157	0.15	25.9	10	15	24	FXA2G103YF157PH	
12,000	90×196	0.15	31.0	8	13	24	FXA2G123YF196PH	
15,000	90×236	0.15	37.5	8	10	24	FXA2G153YF236PH	
450	1,000	51×75	0.15	5.0	102	105	21	FXA2W102YC075PH
	1,200	51×96	0.15	6.0	85	88	21	FXA2W122YC096PH
	1,500	51×115	0.15	7.2	68	70	21	FXA2W152YC115PH
	1,800	51×130	0.15	8.3	56	58	21	FXA2W182YC130PH
	2,200	64×96	0.15	9.0	46	48	22	FXA2W222YD096PH
	2,700	64×115	0.15	10.7	38	40	22	FXA2W272YD115PH
	3,300	64×130	0.15	12.4	30	35	22	FXA2W332YD130PH
	3,900	64×155	0.15	14.5	27	32	22	FXA2W392YD155PH
		77×115	0.15	13.6	27	32	24	FXA2W392YE115PH
	4,700	64×195	0.15	17.5	21	21	22	FXA2W472YD195PH
		77×130	0.15	15.6	21	21	24	FXA2W472YE130PH
	5,600	77×155	0.15	18.3	20	20	24	FXA2W562YE155PH
	6,800	90×157	0.15	21.4	18	18	24	FXA2W682YF157PH
	8,200	90×157	0.15	23.5	15	15	24	FXA2W822YF157PH
10,000	90×196	0.15	28.3	12	15	24	FXA2W103YF196PH	
12,000	90×236	0.15	33.6	9	12	24	FXA2W123YF236PH	

ALUMINUM ELECTROLYTIC CAPACITORS

**Life time graph**

Useful life depending on ambient temperature Ta and ripple current operating conditions I versus rated ripple current at 85°C, 120Hz

