

MLC2 Series (Cylindrically-Shaped Metallized Polypropylene Film Capacitors)

Features

- Approx. 15% smaller than MLC series in volume.
- Cylindrically-shaped capacitor with big capacitance for wind & solar power inverters, other inverters, chopper control and charge-discharge.
- High reliability of withstanding voltage due to using of our original segmented metallized film.

Specifications

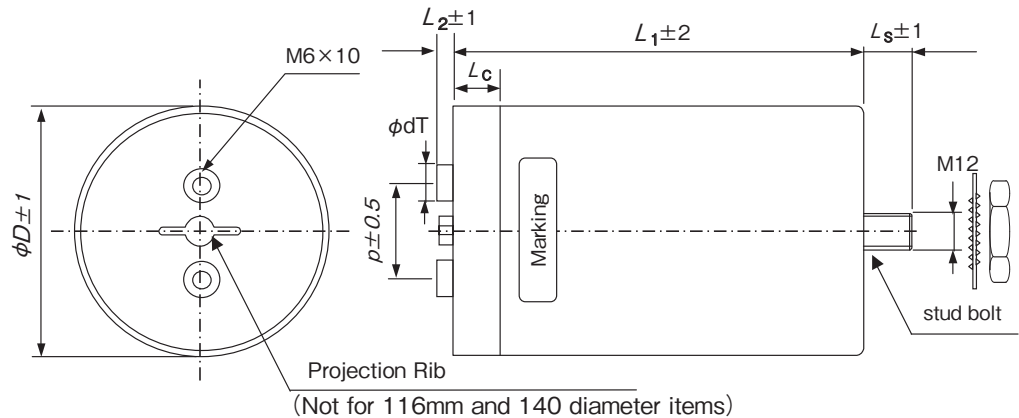
Items	Characteristics
Operating Temperature range *	-40 ~ +85°C at 0.7 U_N
	-40 ~ +80°C at 0.8 U_N
	-40 ~ +75°C at 0.9 U_N
	-40 ~ +70°C at 1.0 U_N
Rated Voltage U_N	800 ~ 900Vdc
Voltage test between terminals U_{TT}	$1.5 \times U_N / 10s$
Voltage test terminals to case U_{TC}	3,200Vac / 10s
Terminals (permitted Torque)	M6 × 10 (4 ±0.5Nm)
Stud Bolt (permitted Torque)	M12 × 16 / 18 (7 ±1Nm)
Life Time Test / Standard	IEC 61071 : 2007
Dielectric	Polypropylene
Electrode	Segmented Metal with Fuse Function
Cap	PBT UL94V-0 listed
impregnants	Epoxy / Urethane Resin UL94V-0 listed
Case material	Aluminium
Humidity	ClassF : 75% annual average, 95% 30days / year

		ϕD				
		$\phi 85$	$\phi 88.5$	$\phi 100$	$\phi 116$	$\phi 140$
Dimensions (mm)	P	32	32	32	50	50
	ϕdT	$\phi 12$	$\phi 12$	$\phi 12$	$\phi 14$	$\phi 19$
	L_2	5	5	5	5	5
	L_C	15	15	15	20	20
	L_S	16	16	16	18	18
Clearance distance (mm)		20	20	20	36	31
Creepage distance (mm)		28	28	28	36	31
Terminal allowance current		60Arms	60Arms	60Arms	80Arms	100Arms

I max Multiplier (1kHz ~ 10kHz)

		$0.7 \times U_N$	$0.8 \times U_N$	$0.9 \times U_N$	$1.0 \times U_N$
T_a Ambient Temperature	50°C	1.32	1.22	1.11	1.00
	60°C	1.11	1.00	0.86	0.70
	70°C	0.86	0.70	0.50	0.00
	75°C	0.70	0.50		
	80°C	0.50	0.00		
	85°C	0.00			

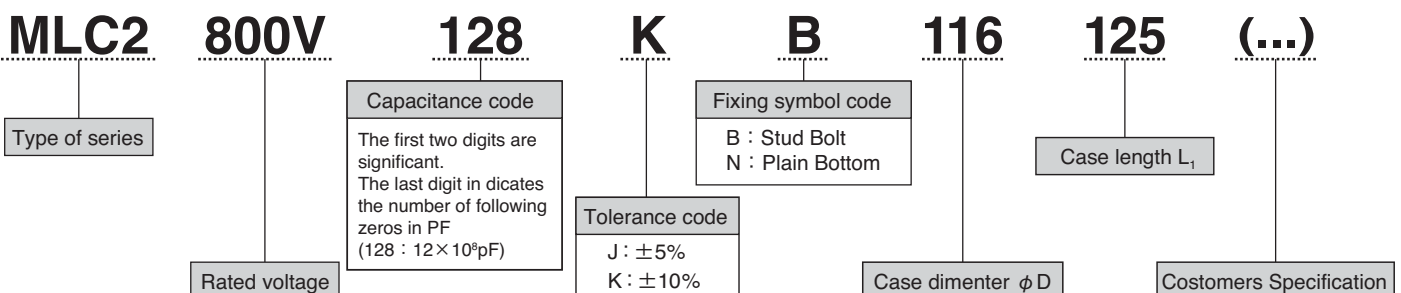
Outline of drawings and dimensions



Part number

Example : MLC2, 800V, 1200 μF , $\pm 10\%$, $D = \phi 116$, $L = 125$, with stud bolt

MLC2800V128KB116125



PLASTIC FILM CAPACITORS

Standard Products Table

Rated d.c voltage U_N : 800Vdc Max.ripple voltage U_r : 200V Non repetitive surge voltage U_s : 1,200V Voltage test between terminals U_{TT} : 1,200Vdc/10s Voltage test terminals to case. U_{TC} : 3,200Vac/10s									
Nominal Capacitance C_N [μ F]	Dimensions		Maximum ripple current (Arms) I_{max}^* [Arms / at50°C, 1k ~ 10kHz]	Maximum peak current \hat{i} [kA]	Maximum Surge current I_s [kA]	Equivalent Series Resistance ESR [m Ω]	Equivalent Series Inductance ESL [nH]	Thermal resistance R_{th} [K/W]	Part number
	Diameter ϕD [mm]	Length of the case L_1 [mm]							
300	85	70	31	5	15	2.4	60	8.4	MLC2800V307KB8570
330	85	75	31	5	15	2.6	65	7.8	MLC2800V337KB8575
340	88.5	70	33	6	18	2.2	60	8.1	MLC2800V347KB88570
370	85	80	31	5	15	2.8	65	7.2	MLC2800V377KB8580
	88.5	75	33	6	18	2.4	65	7.5	MLC2800V377KB88575
410	88.5	80	33	6	18	2.6	65	6.9	MLC2800V417KB88580
440	100	70	40	7	21	1.8	60	6.8	MLC2800V447KB10070
450	85	87	31	5	15	3.0	75	6.8	MLC2800V457KB8587
470	88.5	87	33	6	18	2.8	75	6.4	MLC2800V477KB88587
480	85	95	30	5	15	3.4	80	6.4	MLC2800V487KB8595
490	100	75	40	7	21	1.9	65	6.4	MLC2800V497KB10075
530	88.5	95	32	6	18	3.1	80	6.1	MLC2800V537KB88595
540	85	106	30	5	15	3.9	90	5.6	MLC2800V547KB85106
	100	80	39	7	21	2.1	65	6.1	MLC2800V547KB10080
600	88.5	106	31	6	18	3.6	90	5.6	MLC2800V607KB885106
610	85	125	57	10	30	1.2	40	5.0	MLC2800V617KB85125
	100	87	39	7	21	2.3	75	5.6	MLC2800V617KB10087
620	116	70	47	10	30	1.5	60	5.9	MLC2800V627KB11670
630	85	120	29	5	15	4.6	100	5.1	MLC2800V637KB85120
670	85	135	57	10	30	1.3	40	4.6	MLC2800V677KB85135
	88.5	125	62	11	33	1.1	40	4.6	MLC2800V687KB885125
680	116	75	47	10	30	1.6	65	5.5	MLC2800V687KB11675
	100	95	39	7	21	2.6	80	4.9	MLC2800V697KB10095
700	88.5	120	31	6	18	4.2	100	4.9	MLC2800V707KB885120
750	85	145	57	10	30	1.4	45	4.3	MLC2800V757KB85145
	88.5	135	62	11	33	1.2	40	4.2	MLC2800V767KB885135
760	116	80	46	10	30	1.7	65	5.4	MLC2800V767KB11680
	100	106	38	7	21	3.0	90	4.5	MLC2800V787KB100106
830	88.5	145	61	11	33	1.3	45	4.1	MLC2800V837KB885145
840	85	159	57	10	30	1.6	50	3.8	MLC2800V847KB85159
850	116	87	46	10	30	1.9	75	4.9	MLC2800V857KB11687
890	100	125	71	15	45	1.0	40	3.9	MLC2800V897KB100125
920	100	120	37	7	21	3.4	100	4.2	MLC2800V927KB100120
930	140	70	49	15	45	1.2	60	6.8	MLC2800V937KB14070
940	88.5	159	61	12	36	1.5	50	3.5	MLC2800V947KB885159
960	85	175	56	10	30	1.8	55	3.5	MLC2800V967KB85175
970	116	95	45	10	30	2.1	80	4.6	MLC2800V977KB11695
980	100	135	71	15	45	1.0	40	3.9	MLC2800V987KB100135
1,000	85	197	54	10	30	2.2	60	3.1	MLC2800V108KB85197
	88.5	175	59	11	33	1.7	55	3.3	MLC2800V108KB885175
	100	145	69	14	42	1.2	45	3.4	MLC2800V108KB100145
	116	106	44	10	30	2.5	90	4.0	MLC2800V108KB116106
1,100	140	75	49	15	45	1.3	65	6.2	MLC2800V108KB14075
	140	80	49	15	45	1.4	65	5.8	MLC2800V118KB14080
1,200	85	225	54	10	30	2.5	70	2.7	MLC2800V128KB85225
	88.5	197	60	12	36	1.9	60	2.9	MLC2800V128KB885197
	100	159	70	15	45	1.2	50	3.3	MLC2800V128KB100159
	116	120	43	10	30	2.8	100	3.8	MLC2800V128KB116120
	116	125	83	20	60	0.8	40	3.6	MLC2800V128KB116125
1,300	140	87	48	15	45	1.5	75	5.6	MLC2800V128KB14087
	100	175	69	14	42	1.4	55	3.0	MLC2800V138KB100175
	116	135	83	20	60	0.9	40	3.2	MLC2800V138KB116135
	88.5	225	59	11	33	2.2	70	2.6	MLC2800V148KB885225
1,400	140	95	48	15	45	1.7	80	5.0	MLC2800V148KB14095
	100	197	68	14	42	1.6	60	2.7	MLC2800V158KB100197
1,500	116	145	83	20	60	0.9	45	3.2	MLC2800V158KB116145
	140	106	47	15	45	1.9	90	4.7	MLC2800V168KB140106
1,700	116	159	83	21	63	1.0	50	2.9	MLC2800V178KB116159
1,800	100	225	68	15	45	1.8	70	2.4	MLC2800V188KB100225
	140	125	86	30	90	0.7	40	3.8	MLC2800V188KB140125
1,900	116	175	83	20	60	1.1	55	2.6	MLC2800V198KB116175
	140	120	47	15	45	2.1	100	4.2	MLC2800V198KB140120
2,000	140	135	86	30	90	0.7	40	3.8	MLC2800V208KB140135
2,100	116	197	80	20	60	1.3	60	2.4	MLC2800V218KB116197
2,300	140	145	87	31	93	0.8	45	3.2	MLC2800V238KB140145
2,500	116	225	80	20	60	1.5	70	2.1	MLC2800V258KB116225
	140	159	86	30	90	0.8	50	3.3	MLC2800V258KB140159
2,900	140	175	86	31	93	0.9	55	3.0	MLC2800V298KB140175
3,300	140	197	86	31	93	1.0	60	2.7	MLC2800V338KB140197
3,800	140	225	85	30	90	1.2	70	2.3	MLC2800V388KB140225

* • Please inquire us in case low frequency (commercial frequency) or frequency above 10kHz is included in ripple current.
 • Maximum permissible ripple current is calculated by the value in this table with frequency and temperature correction factors.
 Also the maximum current must be controlled below the permissible terminal current .
 Please refer useful life graph based on ambient temperature and voltage.

$$\theta_{HOTSPOT} = T_a + I^2 \times ESR \times R_{th}$$

POWER ELECTRONICS USE PLASTIC FILM CAPACITORS

Standard Products Table

Rated d.c voltage U_N : 900Vdc		Max.ripple voltage U_r : 200V Non repetitive surge voltage U_s : 1,350V Voltage test between terminals U_{TT} : 1,350Vdc/10s Voltage test terminals to case. U_{TC} : 3,200Vac/10s							
Nominal Capacitance C_N [μF]	Dimensions		Maximum ripple current (Arms) I_{max}^* [Arms / at50°C, 1k ~ 10kHz]	Maximum peak current \hat{i} [kA]	Maximum Surge current I_s [kA]	Equivalent Series Resistance ESR [mΩ]	Equivalent Series Inductance ESL [nH]	Thermal resistance R_{th} [K/W]	Part number
	Diameter ϕD [mm]	Length of the case L_1 [mm]							
230	85	70	30	4	12	2.6	60	8.3	MLC2900V237KB8570
250	85	75	29	4	12	2.9	65	8.0	MLC2900V257KB8575
	88.5	70	31	5	15	2.5	60	8.1	MLC2900V257KB88570
280	85	80	29	4	12	3.1	65	7.5	MLC2900V287KB8580
	88.5	75	31	5	15	2.6	65	7.8	MLC2900V287KB88575
310	88.5	80	31	5	15	2.9	65	7.0	MLC2900V317KB88580
320	85	87	29	5	15	3.4	75	6.8	MLC2900V327KB8587
350	88.5	87	31	5	15	3.2	75	6.3	MLC2900V357KB88587
	100	70	39	7	21	2.0	60	6.5	MLC2900V357KB10070
360	85	95	28	4	12	3.8	80	6.5	MLC2900V367KB8595
390	100	75	38	7	21	2.1	65	6.4	MLC2900V397KB10075
400	88.5	95	30	5	15	3.5	80	6.2	MLC2900V407KB88595
410	85	106	28	5	15	4.4	90	5.7	MLC2900V417KB85106
430	100	80	38	7	21	2.3	65	6.0	MLC2900V437KB10080
450	88.5	106	30	5	15	4.1	90	5.3	MLC2900V457KB885106
460	85	125	55	9	27	1.4	40	4.6	MLC2900V467KB85125
470	100	87	37	7	21	2.6	75	5.6	MLC2900V477KB10087
	116	70	45	9	27	1.6	60	6.0	MLC2900V477KB11670
480	85	120	27	4	12	5.1	100	5.3	MLC2900V487KB85120
510	85	135	55	9	27	1.5	40	4.3	MLC2900V517KB85135
	88.5	125	59	10	30	1.3	40	4.3	MLC2900V517KB885125
	116	75	45	9	27	1.7	65	5.7	MLC2900V517KB11675
530	88.5	120	29	5	15	4.7	100	4.9	MLC2900V537KB885120
540	100	95	37	7	21	2.8	80	5.1	MLC2900V547KB10095
570	85	145	54	9	27	1.6	45	4.2	MLC2900V577KB85145
	88.5	135	59	10	30	1.4	40	4.0	MLC2900V577KB885135
	116	80	44	9	27	1.9	65	5.3	MLC2900V577KB11680
590	100	106	36	6	18	3.3	90	4.6	MLC2900V597KB100106
630	88.5	145	57	10	30	1.5	45	4.0	MLC2900V637KB885145
640	85	159	54	9	27	1.8	50	3.7	MLC2900V647KB85159
650	116	87	44	9	27	2.0	75	5.0	MLC2900V657KB11687
690	100	120	34	6	18	3.8	100	4.4	MLC2900V697KB100120
	100	125	69	13	39	1.0	40	4.0	MLC2900V697KB100125
710	88.5	159	57	10	30	1.6	50	3.8	MLC2900V717KB885159
	140	70	48	14	42	1.3	60	6.5	MLC2900V717KB14070
730	85	175	54	9	27	2.0	55	3.4	MLC2900V737KB85175
	116	95	43	9	27	2.3	80	4.6	MLC2900V737KB11695
780	100	135	69	13	39	1.1	40	3.7	MLC2900V787KB100135
	140	75	48	14	42	1.4	65	6.0	MLC2900V787KB14075
810	88.5	175	57	10	30	1.8	55	3.4	MLC2900V817KB885175
820	85	197	53	9	27	2.3	60	3.0	MLC2900V827KB85197
830	116	106	43	9	27	2.6	90	4.1	MLC2900V837KB116106
860	100	145	68	13	39	1.2	45	3.5	MLC2900V867KB100145
870	140	80	47	14	42	1.5	65	5.9	MLC2900V877KB14080
910	88.5	197	56	10	30	2.1	60	3.0	MLC2900V917KB885197
930	100	159	68	13	39	1.4	50	3.0	MLC2900V937KB100159
940	116	125	80	18	54	0.9	40	3.4	MLC2900V947KB116125
960	85	225	52	9	27	2.7	70	2.7	MLC2900V967KB885225
970	116	120	42	9	27	3.0	100	3.7	MLC2900V977KB116120
980	140	87	47	14	42	1.6	75	5.5	MLC2900V987KB14087
1,000	88.5	225	54	9	27	2.6	70	2.6	MLC2900V108KB885225
	100	175	66	12	36	1.6	55	2.8	MLC2900V108KB100175
	116	135	79	17	51	0.9	40	3.5	MLC2900V108KB116135
1,100	100	197	64	13	39	1.8	60	2.7	MLC2900V118KB100197
	116	145	78	17	51	1.0	45	3.2	MLC2900V118KB116145
1,200	140	95	46	13	39	1.8	80	5.1	MLC2900V118KB14095
	140	106	45	13	39	2.0	90	4.8	MLC2900V128KB140106
1,300	116	159	79	18	54	1.1	50	2.9	MLC2900V138KB116159
1,400	100	225	66	13	39	2.0	70	2.3	MLC2900V148KB100225
	116	175	78	17	51	1.3	55	2.5	MLC2900V148KB116175
	140	120	45	13	39	2.4	100	4.0	MLC2900V148KB140120
	140	125	84	27	81	0.7	40	4.0	MLC2900V148KB140125
1,500	140	135	83	26	78	0.8	40	3.6	MLC2900V158KB140135
1,600	116	197	77	17	51	1.4	60	2.4	MLC2900V168KB116197
1,700	140	145	83	26	78	0.8	45	3.6	MLC2900V178KB140145
1,900	116	225	77	18	54	1.6	70	2.1	MLC2900V198KB116225
	140	159	84	26	78	0.9	50	3.1	MLC2900V198KB140159
2,200	140	175	84	27	81	1.0	55	2.8	MLC2900V228KB140175
2,500	140	197	83	27	81	1.1	60	2.6	MLC2900V258KB140197
2,900	140	225	81	27	81	1.3	70	2.3	MLC2900V298KB140225

* • Please inquire us in case low frequency (commercial frequency) or frequency above 10kHz is included in ripple current.
 • Maximum permissible ripple current is calculated by the value in this table with frequency and temperature correction factors.
 Also the maximum current must be controlled below the permissible terminal current .
 Please refer useful life graph based on ambient temperature and voltage.

$$\theta_{HOTSPOT} = T_a + I^2 \times ESR \times R_{th}$$

PLASTIC FILM CAPACITORS