

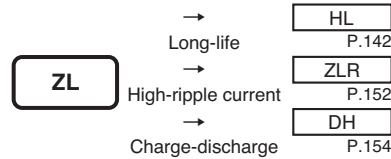
UPGRADE!

ZL Series Useful of 5,000 hours at 105°C

- Conform RoHS

Features

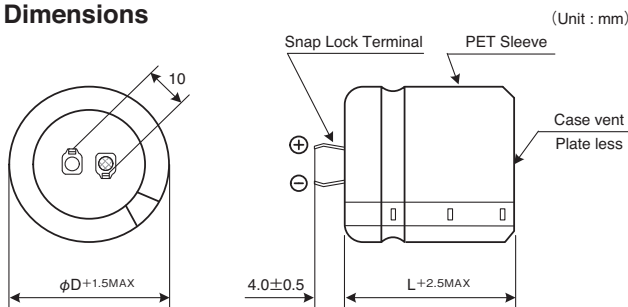
- The ZL series is the miniaturization products of 5,000 hours.



Product Specifications

Items	Specifications
Temperature range	-40°C ~ +105°C (200V.DC ~ 250V.DC) -25°C ~ +105°C (315V.DC ~ 550V.DC)
Rated voltage	200 ~ 550V.DC
Capacitance tolerance	±20% (20°C, 120Hz)
Leakage current	0.02CV (μA) or 3 mA, whichever is smaller or less (20°C, after 5 minutes) [C = nominal capacitance (μF), V = rated voltage (V)]
Dissipation factor	Less than the value specified in the standard products table. (20°C, 120Hz)
Permissible ripple current	As specified in the standard products table. (105°C, 120Hz)
Endurance	After the rated voltage with specified ripple current is applied at 105°C for 3000 hours : Capacitance change : Within ±20% of the initial value measured Dissipation factor : 200% or less than the initial value specified Leakage current : Less than or equal to the initial value specified
Shelf life	The following specification shall be meet when the capacitor are restored to 20°C after storage of 500 hours at 105°C with no voltage applied. Before the measurement, the capacitor shall be preconditioned by applying the voltage treatment according to Item 4.1 of JIS C 5101-4. Capacitance change : Within ±15% of the initial value measured Dissipation factor : 175% or less than the initial value specified Leakage current : Less than or equal to the initial value specified
Others	JIS C 5101-4

Dimensions



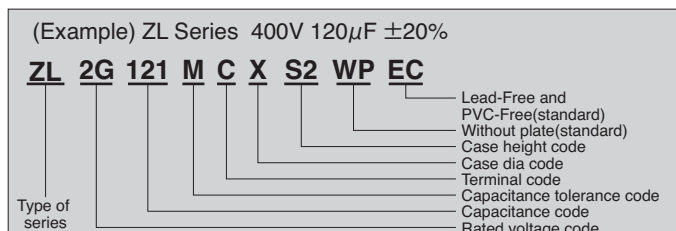
For details of product specifications please request specification sheet.

Ripple current correction coefficient

Temperature (°C)	60	70	85	105	
Correction coefficient	200~500V.DC	1.9	1.7	1.4	1.0
	550V.DC	1.7	1.5	1.3	1.0
Frequency (Hz)	50/60	120	300	1K	≥10K
Correction coefficient	0.7	1.0	1.1	1.3	1.4

A continuous load should be avoided over 10 Arms at the terminal in accordance with the permissible current. Please consult us when the ripple voltage exceeds 70Vp-p.

Product code



Refer to page 124-125 for other terminal shape available on request.

SNAP MOUNT TYPE ALUMINUM ELECTROLYTIC CAPACITORS

Standard Products Table

Rated Voltage (V. DC)	Capacitance (μF)	Case size φ D × L (mm)	tanδ 20°C, 120Hz	Ripple current (Arms)		ESR (typ.) (mΩ) 20°C, 100Hz	Product name
				105°C, 120Hz	20°C, 100Hz		
200	330	22 × 25	0.15	1.09	330	330	ZL2D331MCXS2WPEC
		22 × 30	0.15	1.37	240	240	ZL2D471MCXS3WPEC
	470	25 × 25	0.15	1.36	240	240	ZL2D471MCYS2WPEC
		22 × 35	0.15	1.57	200	200	ZL2D561MCXS4WPEC
	560	25 × 30	0.15	1.57	200	200	ZL2D561MCYS3WPEC
		22 × 40	0.15	1.81	160	160	ZL2D681MCXS5WPEC
	680	30 × 25	0.15	1.75	160	160	ZL2D681MCZS2WPEC
		22 × 45	0.15	2.06	140	140	ZL2D821MCXS6WPEC
	820	25 × 35	0.15	1.99	140	140	ZL2D821MCYS4WPEC
		25 × 45	0.15	2.37	110	110	ZL2D102MCYS6WPEC
	1,000	30 × 30	0.15	2.24	110	110	ZL2D102MCZS3WPEC
		35 × 25	0.15	1.94	110	110	ZL2D102MCAS2WPEC
	1,200	25 × 50	0.15	2.67	100	100	ZL2D122MCYS7WPEC
		30 × 35	0.15	2.56	100	100	ZL2D122MCZS4WPEC
	1,500	35 × 30	0.15	2.23	100	100	ZL2D122MCAS3WPEC
		30 × 45	0.15	3.08	80	80	ZL2D152MCZS6WPEC
	1,800	35 × 35	0.15	2.61	80	80	ZL2D152MCXS4WPEC
		30 × 50	0.15	3.49	70	70	ZL2D182MCZS7WPEC
	2,200	35 × 40	0.15	2.97	70	70	ZL2D182MCAS5WPEC
		2,700	35 × 45	0.15	3.39	50	50
2,700	35 × 50	0.15	3.86	50	50	ZL2D272MCAS7WPEC	
	270	22 × 25	0.15	0.98	360	360	ZL2E271MCXS2WPEC
330		22 × 30	0.15	1.15	290	290	ZL2E331MCXS3WPEC
	390	25 × 25	0.15	1.14	290	290	ZL2E331MCYS2WPEC
470		22 × 35	0.15	1.31	250	250	ZL2E391MCXS4WPEC
	470	22 × 40	0.15	1.50	210	210	ZL2E471MCXS5WPEC
560		25 × 30	0.15	1.43	210	210	ZL2E471MCYS3WPEC
	560	30 × 25	0.15	1.45	210	210	ZL2E471MCZS2WPEC
560		22 × 45	0.15	1.70	180	180	ZL2E561MCXS6WPEC
	560	25 × 35	0.15	1.64	180	180	ZL2E561MCYS4WPEC
680		22 × 50	0.15	1.95	150	150	ZL2E681MCXS7WPEC
	680	25 × 40	0.15	1.88	150	150	ZL2E681MCYS5WPEC
680		30 × 30	0.15	1.85	150	150	ZL2E681MCZS3WPEC
	680	35 × 25	0.15	1.60	150	150	ZL2E681MCAS2WPEC
820		25 × 45	0.15	2.14	120	120	ZL2E821MCYS6WPEC
	820	30 × 35	0.15	2.12	120	120	ZL2E821MCZS4WPEC
1,000		35 × 30	0.15	1.84	120	120	ZL2E821MCAS3WPEC
	1,000	30 × 40	0.15	2.44	100	100	ZL2E102MCZS5WPEC
1,200		30 × 45	0.15	2.76	80	80	ZL2E122MCZS6WPEC
	1,500	35 × 35	0.15	2.33	80	80	ZL2E122MCAS4WPEC
1,500		35 × 45	0.15	2.80	70	70	ZL2E152MCAS6WPEC
	1,800	35 × 50	0.15	3.16	60	60	ZL2E182MCAS7WPEC
250		180	22 × 25	0.20	0.95	710	710
	22 × 30		0.20	1.10	580	580	ZL2F221MCXS3WPEC
	220	25 × 25	0.20	1.10	580	580	ZL2F221MCYS2WPEC
		22 × 35	0.20	1.24	480	480	ZL2F271MCXS4WPEC
	270	25 × 30	0.20	1.25	480	480	ZL2F271MCYS3WPEC
		22 × 40	0.20	1.40	390	390	ZL2F331MCXS5WPEC
	330	30 × 25	0.20	1.43	390	390	ZL2F331MCZS2WPEC
		22 × 45	0.20	1.56	330	330	ZL2F391MCXS6WPEC
	390	25 × 35	0.20	1.57	330	330	ZL2F391MCYS4WPEC
		25 × 40	0.20	1.76	280	280	ZL2F471MCYS5WPEC
	470	30 × 30	0.20	1.73	280	280	ZL2F471MCZS3WPEC
		35 × 25	0.20	1.48	280	280	ZL2F471MCAS2WPEC
	560	25 × 50	0.20	1.99	230	230	ZL2F561MCYS7WPEC
		30 × 35	0.20	1.93	230	230	ZL2F561MCZS4WPEC
	680	35 × 30	0.20	1.70	230	230	ZL2F561MCAS3WPEC
		30 × 40	0.20	2.19	190	190	ZL2F681MCZS5WPEC
	820	35 × 35	0.20	1.96	190	190	ZL2F681MCAS4WPEC
		30 × 45	0.20	2.47	160	160	ZL2F821MCZS6WPEC
	1,000	35 × 40	0.20	2.23	160	160	ZL2F821MCAS5WPEC
		1,000	35 × 45	0.20	2.55	130	130
1,200	35 × 50	0.20	2.87	110	110	ZL2F122MCAS7WPEC	

Rated Voltage (V. DC)	Capacitance (μF)	Case size φ D × L (mm)	tanδ 20°C, 120Hz	Ripple current (Arms)		ESR (typ.) (mΩ) 20°C, 100Hz	Product name
				105°C, 120Hz	20°C, 100Hz		
400	120	22 × 25	0.20	0.77	800	800	ZL2G121MCXS2WPEC
		150	22 × 25	0.20	0.87	640	640
	180	22 × 30	0.20	1.01	540	540	ZL2G181MCXS3WPEC
		25 × 25	0.20	0.99	540	540	ZL2G181MCYS2WPEC
	220	22 × 30	0.20	1.08	440	440	ZL2G221MCXS3WPEC
		22 × 35	0.20	1.17	440	440	ZL2G221MCXS4WPEC
	220	25 × 25	0.20	1.06	440	440	ZL2G221MCYS2WPEC
		25 × 30	0.20	1.16	440	440	ZL2G221MCYS3WPEC
	270	22 × 35	0.20	1.25	360	360	ZL2G271MCXS4WPEC
		22 × 40	0.20	1.35	360	360	ZL2G271MCXS5WPEC
	270	25 × 30	0.20	1.28	360	360	ZL2G271MCYS3WPEC
		25 × 35	0.20	1.35	360	360	ZL2G271MCYS4WPEC
	270	30 × 25	0.20	1.28	360	360	ZL2G271MCZS2WPEC
		22 × 45	0.20	1.54	290	290	ZL2G331MCXS6WPEC
	330	22 × 50	0.20	1.59	290	290	ZL2G331MCXS7WPEC
		25 × 35	0.20	1.49	290	290	ZL2G331MCYS4WPEC
	330	25 × 40	0.20	1.55	290	290	ZL2G331MCYS5WPEC
		30 × 25	0.20	1.37	290	290	ZL2G331MCZS2WPEC
	330	30 × 30	0.20	1.49	290	290	ZL2G331MCZS3WPEC
		35 × 25	0.20	1.46	290	290	ZL2G331MCAS2WPEC
390	22 × 50	0.20	1.73	250	250	ZL2G391MCXS7WPEC	
	25 × 40	0.20	1.68	250	250	ZL2G391MCYS5WPEC	
390	25 × 45	0.20	1.74	250	250	ZL2G391MCYS6WPEC	
	30 × 30	0.20	1.62	250	250	ZL2G391MCZS3WPEC	
390	30 × 35	0.20	1.70	250	250	ZL2G391MCZS4WPEC	
	35 × 25	0.20	1.59	250	250	ZL2G391MCAS2WPEC	
470	25 × 45	0.20	1.92	210	210	ZL2G471MCYS6WPEC	
	25 × 50	0.20	1.98	210	210	ZL2G471MCYS7WPEC	
470	30 × 35	0.20	1.86	210	210	ZL2G471MCYS6WPEC	
	30 × 40	0.20	1.94	210	210	ZL2G471MCZS5WPEC	
470	35 × 30	0.20	1.84	210	210	ZL2G471MCAS3WPEC	
	25 × 55*	0.20	2.22	180	180	ZL2G561MCYS8WPEC	
560	30 × 40	0.20	2.11	180	180	ZL2G561MCZS5WPEC	
	30 × 45	0.20	2.19	180	180	ZL2G561MCZS6WPEC	
560	35 × 30	0.20	2.01	180	180	ZL2G561MCAS3WPEC	
	35 × 35	0.20	2.09	180	180	ZL2G561MCAS4WPEC	
680	25 × 60*	0.20	2.51	150	150	ZL2G681MCYS9WPEC	
	30 × 45	0.20	2.41	150	150	ZL2G681MCZS6WPEC	
680	30 × 50	0.20	2.48	150	150	ZL2G681MCZS7WPEC	
	35 × 35	0.20	2.31	150	150	ZL2G681MCAS4WPEC	
680	35 × 40	0.20	2.40	150	150	ZL2G681MCAS5WPEC	
	30 × 50	0.20	2.65	120	120	ZL2G821MCZS7WPEC	
820	35 × 40	0.20	2.63	120	120	ZL2G821MCAS5WPEC	
	35 × 45	0.20	2.72	120	120	ZL2G821MCAS6WPEC	
1,000	30 × 60*	0.20	3.17	100	100	ZL2G102MCZS9WPEC	
	35 × 50	0.20	3.09	100	100	ZL2G102MCAS7WPEC	
1,200	35 × 55*	0.20	3.38	80	80	ZL2G122MCAS8WPEC	
1,500	35 × 100	0.20	3.93	70	70	ZL2G152MCAS17WPEC	
	40 × 76	0.20	3.99	70	70	ZL2G152MCAS12WPEC	
1,800	40 × 101	0.20	4.47	60	60	ZL2G182MCAS17WPEC	

* When this capacitor is mounted on printed circuit board, reinforce it with any mounting adhesives.

ALUMINUM ELECTROLYTIC CAPACITORS

SNAP MOUNT TYPE ALUMINUM ELECTROLYTIC CAPACITORS

Standard Products Table

Rated Voltage (V. DC)	Capacitance (μF)	Case size φD×L (mm)	tanδ 20°C, 120Hz	Ripple current (Arms) 105°C, 120Hz	ESR(typ.) (mΩ) 20°C, 100Hz	Product name
420	120	22×25	0.20	0.77	850	ZL420V121MCXS2WPEC
		22×25	0.20	0.84	680	ZL420V151MCXS2WPEC
	150	22×30	0.20	0.92	680	ZL420V151MCXS3WPEC
		25×25	0.20	0.90	680	ZL420V151MCYS2WPEC
	180	22×30	0.20	1.01	570	ZL420V181MCXS3WPEC
		22×35	0.20	1.05	570	ZL420V181MCXS4WPEC
		25×25	0.20	0.99	570	ZL420V181MCYS2WPEC
		25×30	0.20	1.05	570	ZL420V181MCYS3WPEC
	220	22×35	0.20	1.17	470	ZL420V221MCXS4WPEC
		22×40	0.20	1.22	470	ZL420V221MCXS5WPEC
		25×30	0.20	1.16	470	ZL420V221MCYS3WPEC
		25×35	0.20	1.21	470	ZL420V221MCYS4WPEC
	270	30×25	0.20	1.15	470	ZL420V221MCZS2WPEC
		22×40	0.20	1.35	380	ZL420V271MCXS5WPEC
		22×45	0.20	1.40	380	ZL420V271MCXS6WPEC
		25×35	0.20	1.35	380	ZL420V271MCYS4WPEC
		25×40	0.20	1.40	380	ZL420V271MCYS5WPEC
		30×25	0.20	1.28	380	ZL420V271MCZS2WPEC
	330	30×30	0.20	1.35	380	ZL420V271MCZS3WPEC
		35×25	0.20	1.32	380	ZL420V271MCAS2WPEC
		22×50	0.20	1.59	310	ZL420V331MCXS7WPEC
		25×40	0.20	1.55	310	ZL420V331MCYS5WPEC
	390	25×45	0.20	1.61	310	ZL420V331MCYS6WPEC
		30×30	0.20	1.49	310	ZL420V331MCZS3WPEC
		25×45	0.20	1.74	270	ZL420V391MCYS6WPEC
		25×50	0.20	1.80	270	ZL420V391MCYS7WPEC
	470	30×35	0.20	1.70	270	ZL420V391MCZS4WPEC
		35×25	0.20	1.54	270	ZL420V391MCAS2WPEC
		35×30	0.20	1.67	270	ZL420V391MCAS3WPEC
		25×50	0.20	1.98	220	ZL420V471MCYS7WPEC
	560	30×35	0.20	1.81	220	ZL420V471MCZS4WPEC
		30×40	0.20	1.94	220	ZL420V471MCZS5WPEC
		35×30	0.20	1.84	220	ZL420V471MCAS3WPEC
		35×35	0.20	1.92	220	ZL420V471MCAS4WPEC
	680	25×60*	0.20	2.27	190	ZL420V561MCYS9WPEC
		30×40	0.20	2.05	190	ZL420V561MCZS5WPEC
		30×45	0.20	2.19	190	ZL420V561MCZS6WPEC
		35×35	0.20	2.09	190	ZL420V561MCAS4WPEC
	820	35×40	0.20	2.18	190	ZL420V561MCAS5WPEC
		30×50	0.20	2.48	150	ZL420V681MCZS7WPEC
		35×40	0.20	2.40	150	ZL420V681MCAS5WPEC
		35×45	0.20	2.48	150	ZL420V681MCAS6WPEC
1,000	30×60*	0.20	2.87	130	ZL420V821MCZS9WPEC	
	35×45	0.20	2.72	130	ZL420V821MCAS6WPEC	
1,200	35×50	0.20	2.80	130	ZL420V821MCAS7WPEC	
	35×55*	0.20	3.18	110	ZL420V102MCAS8WPEC	
1,500	35×100	0.20	3.51	90	ZL420V122MSAS17WPEC	
	40×76	0.20	3.57	90	ZL420V122MSBS12WPEC	
	1,500	40×101	0.20	4.07	70	ZL420V152MSBS17WPEC

* When this capacitor is mounted on printed circuit board, reinforce it with any mounting adhesives.

Rated Voltage (V. DC)	Capacitance (μF)	Case size φD×L (mm)	tanδ 20°C, 120Hz	Ripple current (Arms) 105°C, 120Hz	ESR(typ.) (mΩ) 20°C, 100Hz	Product name
450	100	22×25	0.20	0.71	1,020	ZL2W101MCXS2WPEC
	120	22×25	0.20	0.77	850	ZL2W121MCXS2WPEC
		22×30	0.20	0.92	680	ZL2W151MCXS3WPEC
	150	25×25	0.20	0.90	680	ZL2W151MCYS2WPEC
		22×30	0.20	1.01	570	ZL2W181MCXS3WPEC
	180	22×35	0.20	1.05	570	ZL2W181MCXS4WPEC
		25×25	0.20	0.99	570	ZL2W181MCYS2WPEC
		25×30	0.20	1.05	570	ZL2W181MCYS3WPEC
		22×35	0.20	1.17	470	ZL2W221MCXS4WPEC
	220	22×40	0.20	1.22	470	ZL2W221MCXS5WPEC
		25×30	0.20	1.16	470	ZL2W221MCYS3WPEC
		25×35	0.20	1.21	470	ZL2W221MCYS4WPEC
		30×25	0.20	1.15	470	ZL2W221MCZS2WPEC
	270	22×40	0.20	1.31	380	ZL2W271MCXS5WPEC
		22×45	0.20	1.40	380	ZL2W271MCXS6WPEC
		25×35	0.20	1.35	380	ZL2W271MCYS4WPEC
		25×40	0.20	1.40	380	ZL2W271MCYS5WPEC
		30×25	0.20	1.28	380	ZL2W271MCZS2WPEC
		30×30	0.20	1.35	380	ZL2W271MCZS3WPEC
	330	35×25	0.20	1.32	380	ZL2W271MCAS2WPEC
		22×50	0.20	1.59	310	ZL2W331MCXS7WPEC
		25×40	0.20	1.55	310	ZL2W331MCYS5WPEC
		25×45	0.20	1.61	310	ZL2W331MCYS6WPEC
	390	30×30	0.20	1.49	310	ZL2W331MCZS3WPEC
		30×35	0.20	1.56	310	ZL2W331MCZS4WPEC
		35×25	0.20	1.46	310	ZL2W331MCAS2WPEC
		25×45	0.20	1.74	270	ZL2W391MCYS6WPEC
	470	25×50	0.20	1.80	270	ZL2W391MCYS7WPEC
		30×35	0.20	1.70	270	ZL2W391MCZS4WPEC
		30×40	0.20	1.76	270	ZL2W391MCZS5WPEC
		35×30	0.20	1.67	270	ZL2W391MCAS3WPEC
	560	25×50	0.20	1.92	220	ZL2W471MCYS7WPEC
		30×40	0.20	1.94	220	ZL2W471MCZS5WPEC
		30×45	0.20	2.00	220	ZL2W471MCZS6WPEC
		35×30	0.20	1.84	220	ZL2W471MCAS3WPEC
	680	35×35	0.20	1.92	220	ZL2W471MCAS4WPEC
		25×60*	0.20	2.21	190	ZL2W561MCYS9WPEC
		30×45	0.20	2.19	190	ZL2W561MCZS6WPEC
		30×50	0.20	2.25	190	ZL2W561MCZS7WPEC
	820	35×35	0.20	2.09	190	ZL2W561MCAS4WPEC
		35×40	0.20	2.18	190	ZL2W561MCAS5WPEC
		30×50	0.20	2.41	150	ZL2W681MCZS7WPEC
35×40		0.20	2.40	150	ZL2W681MCAS5WPEC	
1,000	35×45	0.20	2.48	150	ZL2W681MCAS6WPEC	
	30×60*	0.20	2.87	130	ZL2W821MCZS9WPEC	
1,200	35×45	0.20	2.64	130	ZL2W821MCAS6WPEC	
	35×50	0.20	2.80	130	ZL2W821MCAS7WPEC	
1,500	35×55*	0.20	3.18	110	ZL2W102MCAS8WPEC	
	35×100	0.20	3.51	90	ZL2W122MSAS17WPEC	
	1,500	40×76	0.20	3.57	90	ZL2W122MSBS12WPEC
	1,500	40×101	0.20	4.07	70	ZL2W152MSBS17WPEC

* When this capacitor is mounted on printed circuit board, reinforce it with any mounting adhesives.

SNAP MOUNT TYPE ALUMINUM ELECTROLYTIC CAPACITORS

Standard Products Table

Rated Voltage (V. DC)	Capacitance (μF)	Case size φ D × L (mm)	tanδ 20°C, 120Hz	Ripple current (Arms)		Product name
				105°C, 120Hz	ESR(typ.) (mΩ) 20°C, 100Hz	
500	56	22 × 25	0.20	0.40	1,710	ZL2H560MCXS2WPEC
		22 × 25	0.20	0.45	1,410	ZL2H680MCXS2WPEC
	68	22 × 30	0.20	0.48	1,410	ZL2H680MCXS3WPEC
		25 × 25	0.20	0.49	1,410	ZL2H680MCYS2WPEC
	82	22 × 30	0.20	0.53	1,170	ZL2H820MCXS3WPEC
		22 × 35	0.20	0.56	1,170	ZL2H820MCXS4WPEC
	100	25 × 25	0.20	0.54	1,170	ZL2H820MCYS2WPEC
		22 × 35	0.20	0.62	960	ZL2H101MCXS4WPEC
		22 × 40	0.20	0.65	960	ZL2H101MCXS5WPEC
		25 × 30	0.20	0.64	960	ZL2H101MCYS3WPEC
	120	30 × 25	0.20	0.68	960	ZL2H101MCZS2WPEC
		22 × 40	0.20	0.72	800	ZL2H121MCXS5WPEC
		22 × 45	0.20	0.75	800	ZL2H121MCXS6WPEC
		25 × 30	0.20	0.71	800	ZL2H121MCYS3WPEC
	150	25 × 35	0.20	0.74	800	ZL2H121MCYS4WPEC
		30 × 25	0.20	0.75	800	ZL2H121MCZS2WPEC
		22 × 45	0.20	0.85	640	ZL2H151MCXS6WPEC
		22 × 50	0.20	0.88	640	ZL2H151MCXS7WPEC
	180	25 × 35	0.20	0.84	640	ZL2H151MCYS4WPEC
		25 × 40	0.20	0.88	640	ZL2H151MCYS5WPEC
		30 × 30	0.20	0.90	640	ZL2H151MCZS3WPEC
		35 × 25	0.20	0.94	640	ZL2H151MCAS2WPEC
	220	22 × 50	0.20	0.97	540	ZL2H181MCXS7WPEC
		25 × 40	0.20	0.98	540	ZL2H181MCYS5WPEC
		25 × 45	0.20	1.01	540	ZL2H181MCYS6WPEC
		30 × 30	0.20	0.99	540	ZL2H181MCZS3WPEC
		30 × 35	0.20	1.04	540	ZL2H181MCZS4WPEC
		35 × 25	0.20	1.04	540	ZL2H181MCAS2WPEC
	270	35 × 30	0.20	1.09	540	ZL2H181MCAS3WPEC
		25 × 50	0.20	1.17	440	ZL2H221MCYS7WPEC
		30 × 35	0.20	1.17	440	ZL2H221MCZS4WPEC
		30 × 40	0.20	1.21	440	ZL2H221MCZS5WPEC
	330	35 × 30	0.20	1.22	440	ZL2H221MCAS3WPEC
		35 × 35	0.20	1.28	440	ZL2H221MCAS4WPEC
		25 × 60*	0.20	1.39	360	ZL2H271MCYS9WPEC
		30 × 40	0.20	1.36	360	ZL2H271MCZS5WPEC
390	30 × 45	0.20	1.41	360	ZL2H271MCZS6WPEC	
	35 × 35	0.20	1.44	360	ZL2H271MCAS4WPEC	
	35 × 40	0.20	1.49	360	ZL2H271MCAS5WPEC	
	30 × 50	0.20	1.63	290	ZL2H331MCZS7WPEC	
470	35 × 40	0.20	1.67	290	ZL2H331MCAS5WPEC	
	35 × 45	0.20	1.73	290	ZL2H331MCAS6WPEC	
560	30 × 55*	0.20	1.84	250	ZL2H391MCZS8WPEC	
	35 × 45	0.20	1.90	250	ZL2H391MCAS6WPEC	
550	82	35 × 50	0.20	1.96	250	ZL2H391MCAS7WPEC
		35 × 50	0.20	2.18	210	ZL2H471MCAS7WPEC
	120	30 × 25	0.25	0.59	2,920	ZL2L820MCZS2WPEC
		30 × 30	0.25	0.77	1,990	ZL2L121MCZS3WPEC
	150	35 × 25	0.25	0.80	1,990	ZL2L121MCAS2WPEC
		30 × 35	0.25	0.91	1,600	ZL2L151MCZS4WPEC
	180	35 × 30	0.25	0.96	1,600	ZL2L151MCAS3WPEC
		30 × 40	0.25	1.05	1,330	ZL2L181MCZS5WPEC
	220	35 × 35	0.25	1.11	1,330	ZL2L181MCAS4WPEC
		30 × 50	0.25	1.26	1,090	ZL2L221MCZS7WPEC
270	35 × 40	0.25	1.29	1,090	ZL2L221MCAS5WPEC	
	35 × 45	0.25	1.50	890	ZL2L271MCAS6WPEC	
330	35 × 50	0.25	1.73	730	ZL2L331MCAS7WPEC	
390	35 × 60*	0.25	2.00	620	ZL2L391MCAS9WPEC	

* When this capacitor is mounted on printed circuit board, reinforce it with any mounting adhesives.

Life time graph

Useful life depending on ambient temperature Ta and ripple current operating conditions I versus rated ripple current at 105°C, 120Hz.

